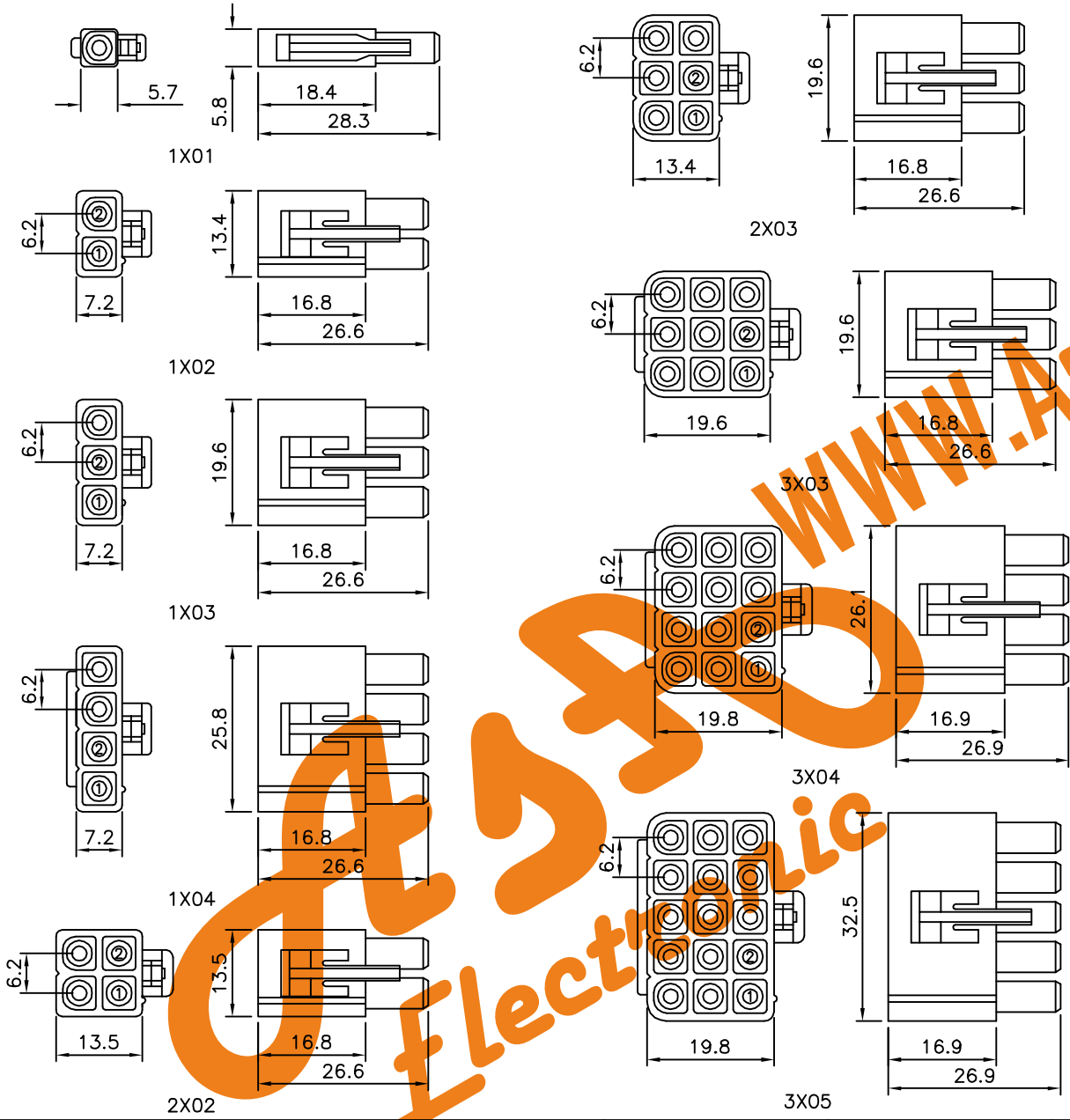


SPECIFICATION

Current Rating: 9~11 A AC/DC
 Voltage Rating: 300V AC/DC
 Withstanding Voltage: 1500V AC/Minute
 Insulation Resistance: 1000 Megaohms Min.
 Temperature Range: -25°C~+90°C
 Material: PA66(UL94V-0)
 RoHS Compliant



Asa Electronic Co.
 WWW.Asa-Elec.com
 Tel : (+98) 21 66 73 56 82 Mob : (+98) 912 03 161 02

DRAWING No.		APPROVED BY		UNLESS OTHERWISE SPECIFIED TOLERANCES ARE .X ±0.3
20157		EMILY		
		CHECKED BY		
		HZF		
DRAWING BY		WSS		UNIT mm
SCALE	NONE	REV.	A0	

NO.	REV.	REVISIONS	CHK	DATE